

WS-R Features

- Room Temperature via thermistor 3 kohm @ 77 °F (25 °C).
- Setpoint Adjust Option via 10 k to 30 kohm potentiometer.
- Override Push-button Option for afterhours operation..
- Screw Terminals for easy wiring.

The WS-R Series temperature sensors are thermistor type sensors and are suitable for drywall or junction box mounting. These sensors provide a predictable output over a specified temperature range, and are ideal for use with the ASIC/1-8x55, and ASIC/2 products. Wiring connection is via screw terminal.

Thermistors offer high accuracy and interchangeability over a wide temperature range. The thermistor's high resistance eliminates lead wire resistance problems.

These sensors do not provide communication access to the ASI controller. The WS-0xx Series of Wall Sensors should be used for sensors that require modular connection and communication access to the ASIC1/8x55 products.

The WS-R Series room temperature sensors are offered with a combination of Setpoint Adjust and Push-button Override Switch .



WS-RSO Wall Sensor

- WS-R Room Sensor is a thermistor, 3k ohms @ 77 F
- S Option Setpoint Adjust 20 k potentiometer in series with 10 kohm: Left 10k, Cooler; Right 30 k, Warmer.
- O Option Push-button override switch located on the side of the sensor.

Product Specifications

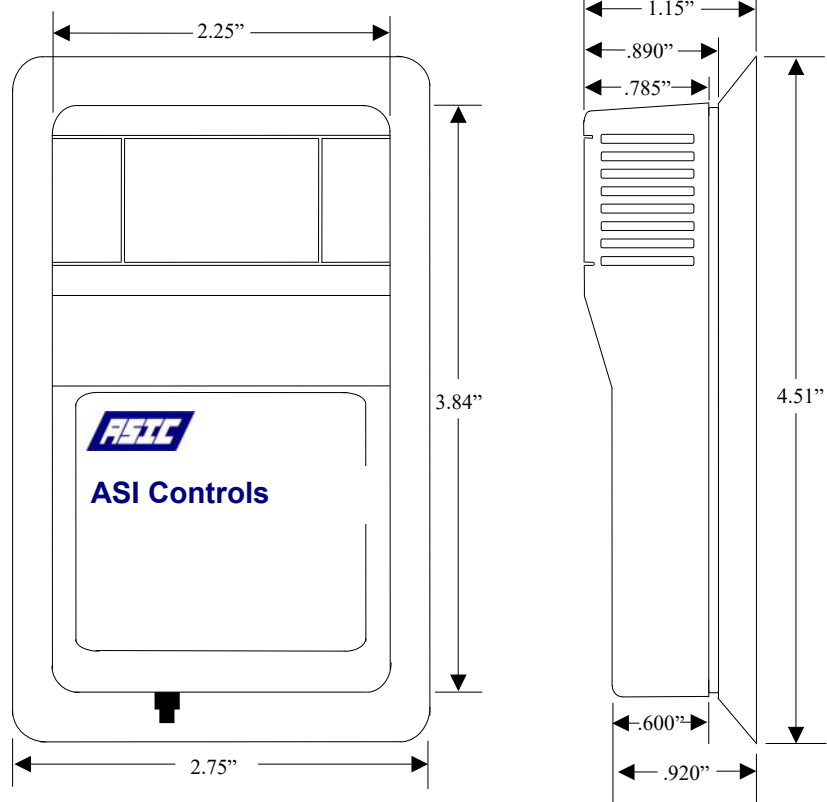
- Output: 3,000 Ohms @ 77F (25C)
- Temperature Range: -40 to 100 degrees C
-40 to 212 degrees F
- Interchangeability: 0.2 degrees C (0 to 70C)
- Thermistor Stability: Highly Stable, No Field Calibration Required
- Dissipation Constant: 3 mW per degree Celsius
- Accuracy: +/- .2 degrees Celsius (0 to 70C)
- Dimensions: Standard 4.50" x 2.75" x 1.25"
(115mm x 70mm x 32mm)
- Connections: screw terminals.
TB1-2,3 3k thermistor
TB1-4,5 override push-button
TB1-6,7 Variable Setpoint Adjust 10k to 30 kohm
Cooler Warmer
- Color: Beige with ASI Logo.

How to Order:	Order Number
Room Temperature Sensor Only	WS-R
Room Temperature Sensor with Setpoint Adjust	WS-RS
Room Temperature Sensor with Override Switch	WS-RO
Room Temperature Sensor with Setpoint Adjust and Override Switch	WS-RSO
Setpoint Adjust and Override Switch only with 2 kohm potentiometer	WS-SO-2k

Dimensions



Made in USA



Wiring

