



- BTL-ASC certified
- BACnet MS/TP
- RS-485 communication
- Up to 3-fan speeds and 2 Cooling, 2 Heating stages
- BACnet supervisor scheduling
- Supports occupancy sensor, remote sensor, and extra DI
- Proportional+Integral (PI) algorithm for smooth controls
- Adjustable UNOCC setpoints °F or °C display
- Min/Max set-point, adjustable
- After-Hours mode, button push or BACnet initiation

The BACiQ-AC is a BTL-ASC certified BACnet-MS/TP thermostat designed for on/off control of packaged air conditioning (AC) units.

BACiQ wall mount stats feature an integrated temperature sensor and a built in LCD screen.

The BACiQ-AC provides a Proportional + Integral (PI) algorithm for smooth, responsive control of environmental conditions. Available control sequences include 1 or 2 Cooling stages, 1 or 2 Heating stages, up to 3 speed fan

BACiQ-AC wall mount stats can be configured in BACnet software by writing to BACnet object instances or at the device by pushing buttons.

Device settings are preserved in the event of power loss. BACiQ-AC thermostats will by default resume in occupied mode after a power loss until a schedule is established, unoccupied mode is also supported.

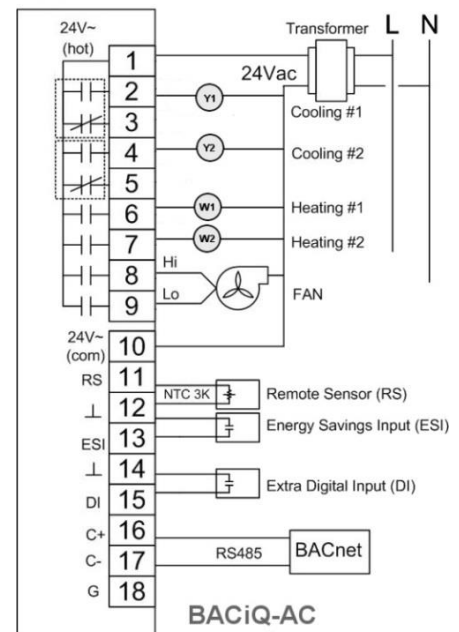
The BACiQ-AC provides a Proportional + Integral (PI) algorithm for smooth, responsive control of environmental conditions.

The device supports after-hours overrides initiated from BACnet software or button push. Override duration can be changed by writing to a BACnet object or by entering Engineering mode via push buttons.

The large backlit LCD screen displays room temperature, setpoints and other status information. The display defaults to standard US units (°F) but metric units (°C) can optionally be selected.



BACnet is a registered trademark of ASHRAE. ASHRAE does not endorse, approve or test products for compliance with ASHRAE standards. Compliance of listed products to the requirements of ASHRAE Standard 125 is the responsibility of BACnet International/BI. BTL is a registered trademark of BI.



Specifications

Power

24Vac (+/-10%), 50/60 Hz

BACnet Communication

BTL certified Application Specific Controller (B-ASC)

Supports B-ASC & DS-RPM-B BIBBs

RS485, 2/ 3 wires connection

BACnet MS/ TP open protocol at 9.6, 19.2, 38.4, 57.6, or 76.8 kbps baud

N-8-1 data format (BACnet standard)

Display

Range: 14 °F to 140 °F / -10 to 60 °C

Resolution: 0.1 °F/°C

Accuracy: +/- 1.8 °F (at 77°F, output off)

Overall Dimensions

4.7" x 3.7" x 1.4" (HxWxD)

94mm x 118mm x 34mm

Weight: less than 1 lbs.

Color: white

Operating Environment

32 °F to 122 °F (0 to 50 °C)

5%-95% RH (non-condensing)

Set-point Range

32~122 °F (default: 50~86 °F, adjustable)

0~50 °C (default 10~30 °C, adjustable)

Resolution: 0.5 °F (or 0.5 °C)

Setpoint Adjust

Push button or BACnet communication

Relay Output for On/Off valve/actuator

2 SPDT + SPST relays for 1 or 2 stages of Cooling or Heating

Relay Output for Fan Control

Up to 3 SPST relays for 3-speed control

Electrical Rating

(2) SPDT relays: 1.2A/24Vac, inductive load

(4) SPST relays: 2A/24Vac, inductive load

Wiring

Screw Terminals, 14-22 AWG wire (1.5 mm²)

Mounting

Directly on to wall, panel, or 2×4 inch junction box

Metric: fits 65×65 mm junction box; hole pitch 60 mm

Control Sequence

Proportional plus integral (PI) applied to differential on/off control

Remote Sensor (RS) Input Interface

For connecting to external NTC Thermistor 3K ohm

Energy Savings Input (ESI) Interface

Optional energy conservation feature can be configured to enter Unoccupied mode if ESI is triggered by a normally open (N.O.) or normally closed (N.C.) dry contact relay

Extra Digital Input (DI) Interface

Optional energy conservation feature can be configured to stop cooling or heating and fan control outputs if DI is triggered by a normally open (N.O.) or normally closed (N.C.) dry contact relay

How to Order:	Part Number:
Package AC controller with integrated LCD display and temperature sensor	BACiQ-AC

Example network diagram

