



- BTL-ASC certified
- BACnet MS/TP & RS-485 communication
- Supports 2-wire, 3-wire, or 3+2 wire actuators
- Up to 3-fan speeds and 2 Cooling, 2 Heating stages
- BACnet supervisor scheduling
- 1 extra analog and 2 extra digital inputs
- Control Sequences for all common FCU applications
- Proportional+Integral (PI) algorithm for smooth control
- Adjustable UNOCC setpoints
- °F or °C display
- Min/Max set-point, adjustable
- After-Hours mode, button push or BACnet initiation

The BACiQ-FC is a BTL-ASC listed BACnet-MS/TP thermostat designed to control Fan Coil applications with support for 2-pipe or 4-pipe units and manual or auto changeover.

BACiQ wall mount stats feature an integrated temperature sensor and built in LCD screen to display room temperature, setpoints and other status information. Display defaults to standard US units (°F) but metric units (°C) can optionally be selected.

The BACiQ-FC provides a Proportional + Integral (PI) algorithm for smooth, responsive control of environmental conditions. Available control sequences include:

- 2-pipe CLG only
- 2-pipe HTG only
- 2-pipe (Manual Changeover)
- 4-pipe CLG + HTG (Auto)
- 4-pipe CLG + HTG (Manual)

BACiQ-FC wall mount stats can be configured in BACnet software by writing to BACnet object instances or at the device by pushing buttons.

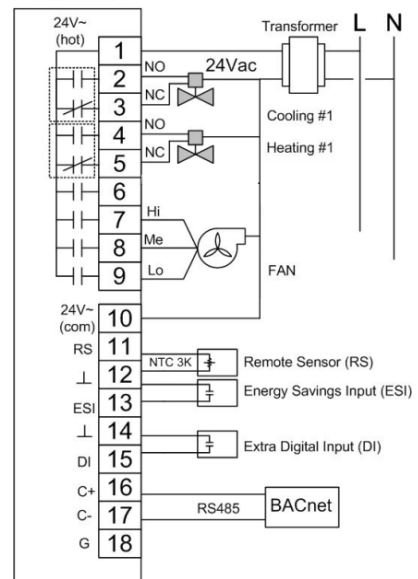
The BACiQ-FC thermostat will by default resume in occupied mode until a schedule is established, unoccupied mode is also supported.

The device supports after-hours overrides initiated from BACnet software or button push. Override duration can be changed by writing to a BACnet object or by entering Engineering mode via push buttons.

Flexible support for 2-wire, 3-wire and 3+2 wire actuators.



BACnet is a registered trademark of ASHRAE. ASHRAE does not endorse, approve or test products for compliance with ASHRAE standards. Compliance of listed products to the requirements of ASHRAE Standard 119 is the responsibility of BACnet International. BTL is a registered trademark of EI.





Specifications

Power

24Vac (+/-10%), 50/60 Hz
Power Consumption: 5 VA

BACnet Communication

BTL certified Application Specific Controller (B-ASC)
Supports B-ASC & DS-RPM-B BIBBs
RS485, 2/ 3 wires connection
BACnet MS/ TP open protocol at 9.6, 19.2, 38.4, 57.6, or 76.8 kbps baud
N-8-1 data format (BACnet standard)

Display

Range: 14 °F to 140 °F / -10 to 60 °C
Resolution: 0.1 °F/°C
Accuracy: +/- 1.8 °F (at 77°F, output off)

Overall Dimensions

4.7" x 3.7" x 1.4" (HxWxD)
94mm x 118mm x 34mm
Weight: less than 1 lbs.
Color: white

Operating Environment

32 °F to 122 °F (0 to 50 °C)
5%-95% RH (non-condensing)

Set-point Range

32~122 °F (default: 50~86 °F, adjustable)
0~50 °C (default 10~30 °C, adjustable)
Resolution: 0.5 °F (or 0.5 °C)

Setpoint Adjust

Push button or BACnet communication

Relay Output for On/Off valve/actuator

2 SPDT + SPST relays for 1 or 2 stages of Cooling or Heating

Relay Output for Fan Control

Up to 3 SPST relays for 3-speed control

Electrical Rating

(2) SPDT relays: 1.2A/24Vac, inductive load
(4) SPST relays: 2A/24Vac, inductive load

Wiring

Screw Terminals, 14-22 AWG wire (1.5 mm²)

Mounting

Directly on to wall, panel, or 2×4 inch junction box
Metric: fits 65×65 mm junction box; hole pitch 60 mm

Control Sequence

Proportional plus integral (PI) applied to differential on/off control

Remote Sensor (RS) Input Interface

For connecting to external NTC Thermistor 3K ohm

Energy Savings Input (ESI) Interface

Optional energy conservation feature can be configured to enter Unoccupied mode if ESI is triggered by a normally open (N.O.) or normally closed (N.C.) dry contact relay

Extra Digital Input (DI) Interface

Optional energy conservation feature can be configured to stop cooling or heating and fan control outputs if DI is triggered by a normally open (N.O.) or normally closed (N.C.) dry contact relay

How to Order:	Part Number:
Fan Coil unit controller with integrated LCD display and temperature sensor	BACiQ-FC

Example network diagram

