

QuadMux Features

- **Allows four contact closures to connect to one controller input**
- **1.00 kohm, 2.00 kohm, 4.02 kohm, 8.28 kohm resistors**

Precision Resistor Pack for quad multiplex inputs on ASIC/2 and ASIC/3 controllers. Allows four contact closure inputs to be connected to one controller input. Contains 1.00 kohm, 2.00 kohm, 4.02 kohm and 8.25 kohm 0.1% resistors connected to common. Requires 511 ohm 0.1% pull-up resistor and four switch contacts.

Ordering Options

Part	Part #
Quad Input Multiplex Kit	QuadMux

How to Wire

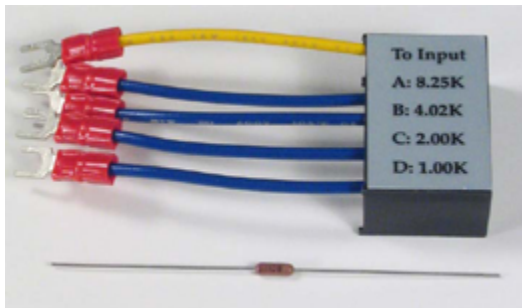
With care, the ASIC/2 can accommodate up to four binary inputs on a single input. It is designated as Input type 20, QUAD-BI, Quad Binary Input. The quad binary inputs consist of normally open switches with one side to common. It requires a pull-up resistor of 511 ohm 0.1%.

The four inputs are:

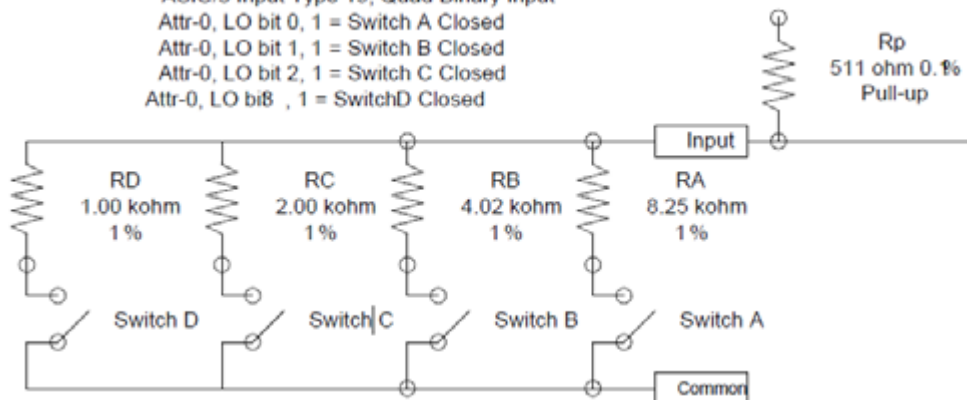
- Switch A in series with $R_A = 8.25 \text{ kohm}$, 0.1%, Sets Attr-0, LO bit 0
- Switch B in series with $R_B = 4.02 \text{ kohm}$, 0.1%, Sets Attr-0, LO bit 1
- Switch C in series with $R_C = 2.00 \text{ kohm}$, 0.1%, Sets Attr-0, LO bit 2
- Switch D in series with $R_D = 1.00 \text{ kohm}$, 0.1%, Sets Attr-0, LO bit 3

CAUTION: the voltage thresholds for each resistance value are in a narrow range. Please use 0.1% resistors and test configuration thoroughly before applying this input type. Use of Quad Binary Inputs is discouraged

If 0.1% resistors are un-available precision values may be obtained by using two resistors in parallel and checking the value with a precision 4 digit ohm meter.



ASIC/3 Input Type 19, Quad Binary Input
 Attr-0, LO bit 0, 1 = Switch A Closed
 Attr-0, LO bit 1, 1 = Switch B Closed
 Attr-0, LO bit 2, 1 = Switch C Closed
 Attr-0, LO bit 3, 1 = Switch D Closed



Testing Quad Inputs: Each quad input should be tested once the resistor tree is connected. There can be variation in the resistance values that could affect your results. Each combination of switch D, C, and B should be tested with switch A open and closed. Consult the input object definition for details on the operation of quad binary inputs.