

ASI BACport Features

- BACnet/IP to ASI serial communications protocol interface
- Hosts up to 32 ASI controllers as virtual BACnet devices
- Multiple BACnet object types supported: Analog Input, Analog Output, Analog Value, Binary Input, Binary Output, Binary Value, Multi-state Input, Multi-state Output
- Up to 128 instances of each BACnet object type supported per device
- Send & Receive ASI protocol over Ethernet via UDP/IP
- Switch selectable RS-232 or RS-485 serial communications
- Built-in FTP server for remote configuration updates and firmware upgrades

The ASI BACport is a configurable BACnet/IP system interface, supporting up to 32 networked ASI controllers via the switch selectable RS-232/485 interface. The BACport works with both new and legacy ASI controllers, so almost any ASI Controls system can be BACnet enabled

The BACport communicates BACnet/IP protocol through the 10/100 Mbps Ethernet port, and can also act as an ASI Ethernet to serial protocol router. Support for remote UDP connections from ASI Visual Expert allows for configuration and maintenance of installed ASI controllers without interrupting ongoing BACnet/IP communications. Both ASIC/1 and ASIC/2 serial protocols are supported at baud rates up to 38.4 kbps.

The BACport supports a variety of BACnet object types, including Analog Input, Analog Output, Analog Value, Binary Input, Binary Output, Binary Value, Multi-state Input, and Multi-state Output. Any point from an ASI controller can be mapped to the present-value property of a supported BACnet object type. Up to 128 instances of each object type can be allocated for each ASI device connected to the BACport, thus a maximum of 1024 discrete points is allowed per virtual BACnet device.

The BACport configuration is stored in an XML file format, which can easily be edited using any XML or text editor. Any FTP client can be used to retrieve or send the BACport configuration file.

Uses built-in functions to extract any ASI data value as a single byte, word, double-word, bit, and more. Configurable scaling from raw to engineering units further simplifies the task of converting native ASI data values into BACnet friendly types. You can specify optional BACnet units such as percent, degrees Fahrenheit, cubic feet per minute, etc...

The BACport conforms to the BACnet Application Specific Controller (B-ASC) device profile. The following BIBBs are supported:

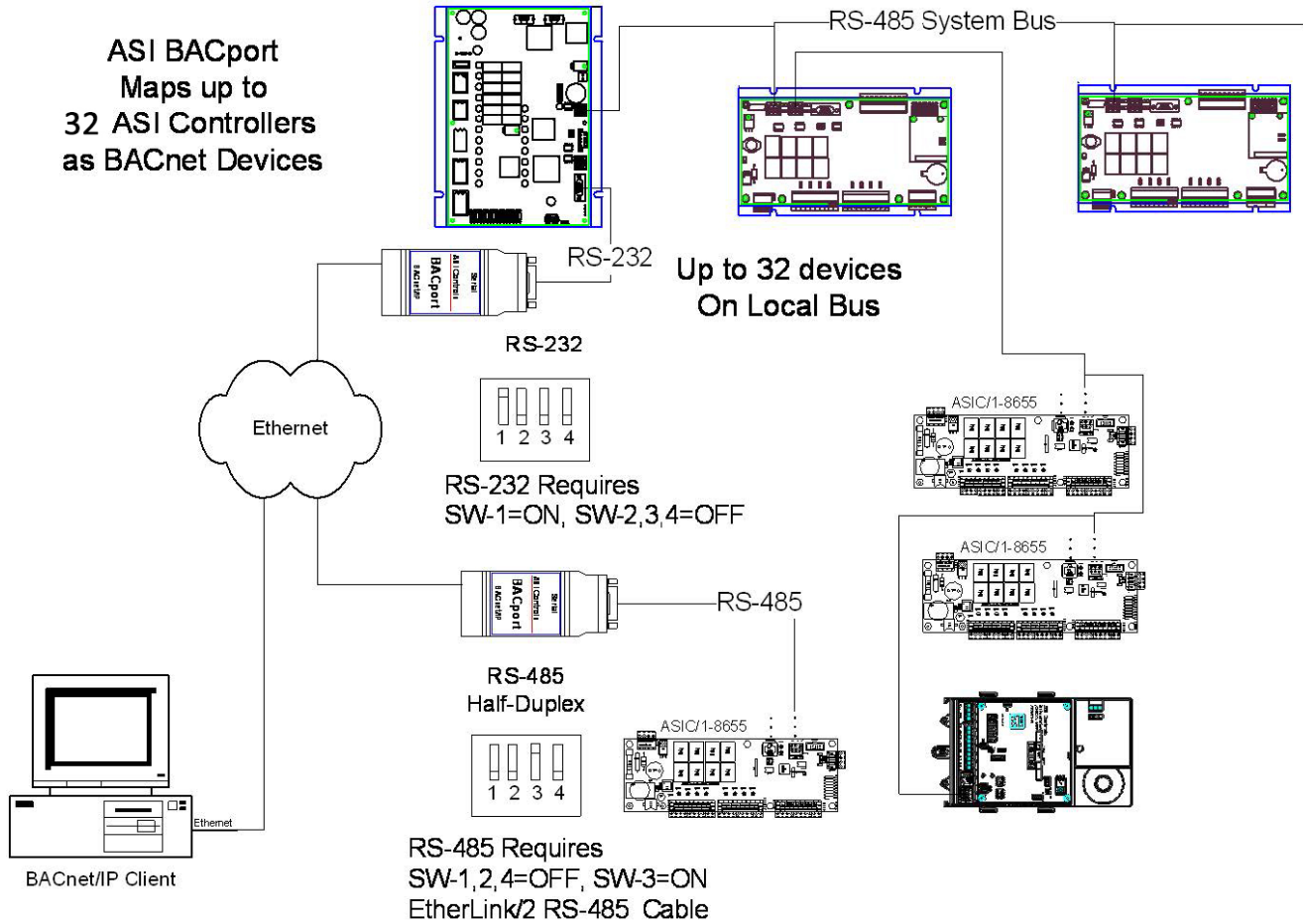
Data Sharing:

- DS-WP-B (WriteProperty)
- DS-RP-B (ReadProperty)
- DS-RPM-B (ReadPropertyMultiple)

Device and Network Management:

- DM-DDB-B (Dynamic Device Binding)
- DM-DOB-B (Dynamic Object Binding)
- DM-DCC-B (Device Communication Control)
- DM-TS-B (Time Synchronization)
- DM-RD-B (Reinitialize Device)





Specifications

Hardware

Processor NS7520 32-bit NET+ARM, 55 MHz
 Memory RAM: 16 MB RAM
 Flash: 4 MB Flash
 LED Status: Power, Link, Activity
 Network Interface RJ-45 10BASE-T connector

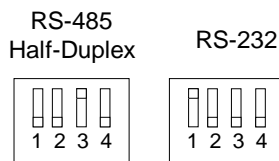
Ethernet Interface

IEEE 802.3/Ethernet compliant
 Auto-sensing 10/100 Mbit

Serial Interface

DB-9M connector (DTE)
 DB9-F to DB9-F Null Modem Cable included.

Switch selectable RS-232/RS-485 interface



Physical Characteristics

Indication: 3 LEDs Link, Activity, Custom(red)
 Length: 3.9 inches (98 mm)
 Width: 1.7 inches (43 mm)
 Depth: 1.0 inches (25 mm)
 Weight: 0.14 lb (0.06 kg)

External Power Supply

Style: Wall-mount
 Input: 120 VAC, 60 Hz
 Output: 9 Vdc (370 mA) to 30 Vdc (110 mA) unregulated

Environmental

Temperature: 0 to 60 degrees C operating
 -40 to 90 degrees C non-operating
 Humidity: 10 to 95 percent non-condensing

Agency

Power Supply: UL listed, CSA approved
 EtherLink: FCC Class A

| How to Order: | Order Number |
|---------------|--------------|
| ASI BACport | BACport |

| Accessories: | Order Number |
|--------------------------|------------------------|
| Etherlink/2 RS-485 Cable | EtherLink RS-485 Cable |